

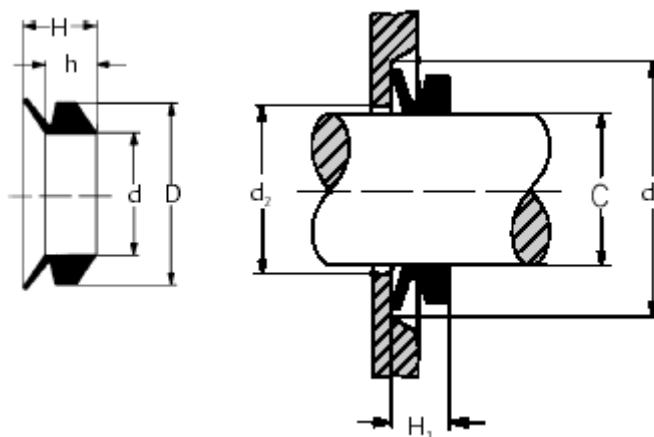
Data Sheet



Article number: 17950110S

Description: KLEE V-ring VS 50-110 NBR 60

Measures



$C = 105-115$

$d = 99.0$

$D = 113.0$

$d1 = C+21$

$d2 = C+4$

$h = 13.1$

$H = 18.0$

$H1 = 15,5 \pm 1,5$